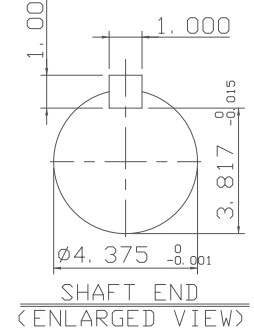
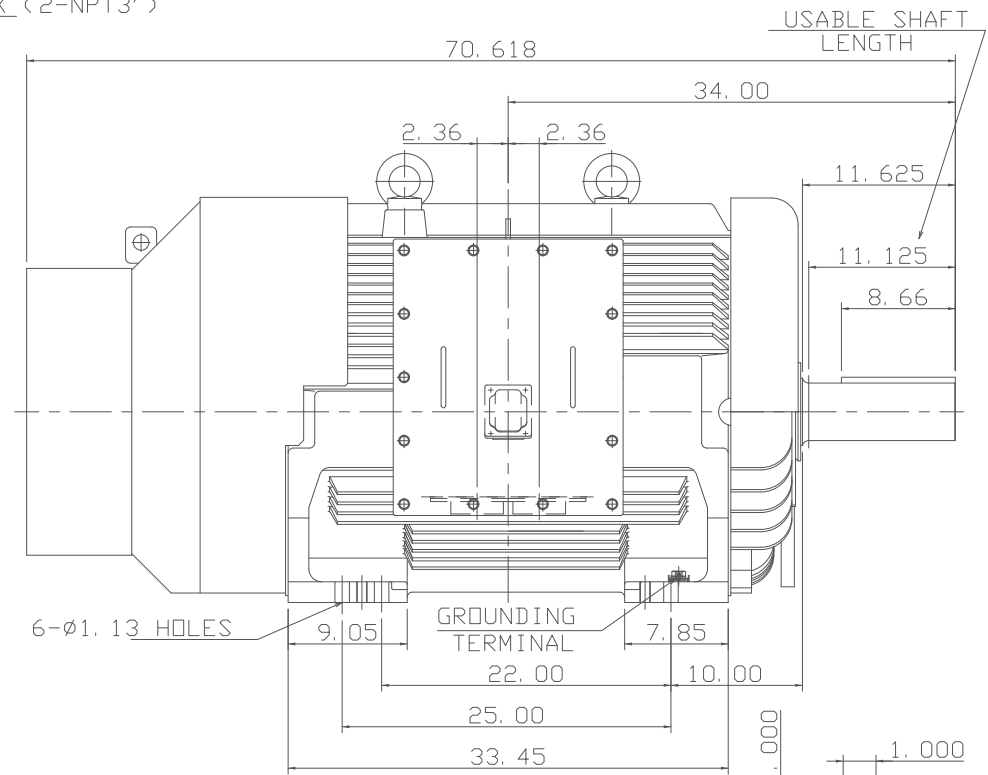
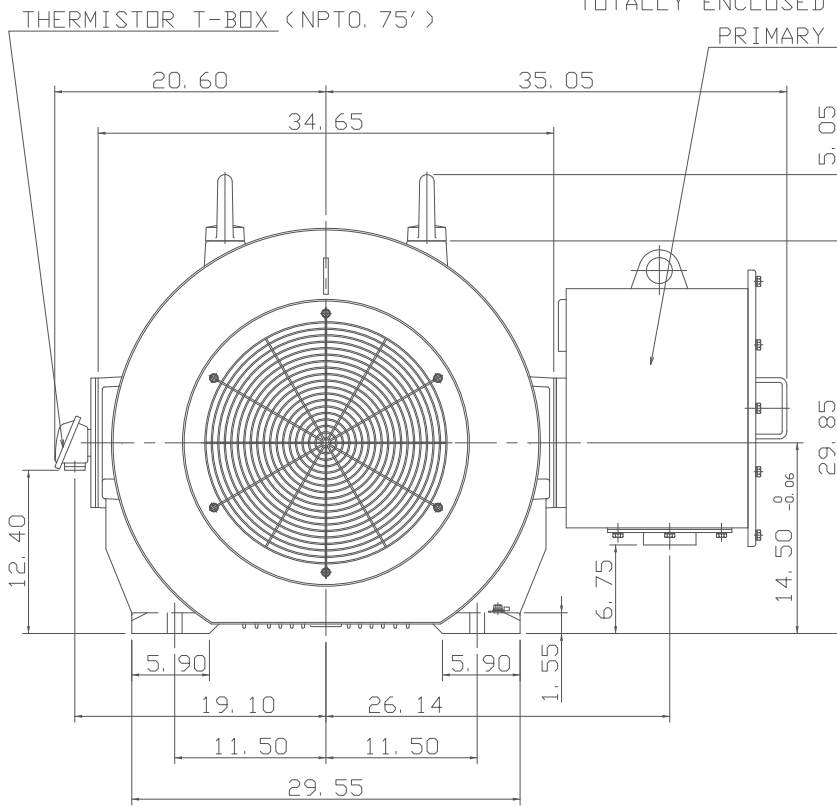


TYPE	OUTPUT		POLE	TIME RATING	VOLTAGE V	Hz	SYN. SPEED R. P. M
	HP.	kW.					
AEHH-GD	350	261.1	4	CONT.	460	60	1800

TOTALLY ENCLOSED FAN-COOLED TYPE, SQUIRREL-CAGE ROTOR  
 PRIMARY T-BOX (2-NPT3')



- NOTE:
- DIMENSIONS IN inch
  - FRAME NO.586/7UZ
  - F CLASS INSULATION, S. F. 1. 15
  - FOR BELT DRIVE
  - ENCLOSURE: IP55
  - BEARING SIZE: DRIVE-END NU326C3  
OPP. DRIVE-END 6322
  - NON-SPARKING FAN
  - WITH THERMISTOR: PTC 140°C 3PCS
  - MOTOR APPROX. WEIGHT: 4780lb

DATE	FEB. 01, 2018	OUTLINE DIMENSIONS	
CATALOG NO.:	CDP3504RZ	3-PHASE INDUCTION MOTOR	
DWN.	J. WANG	MAR. 10. 2017	TEC Westinghouse
CHKD.	H. HUANG	MAR. 10. 2017	
APPD.	C. LIU	MAR. 10. 2017	
DWG NO.		REV: 02	4B040T887